

# DATACARD® MX6000™ CARD ISSUANCE SYSTEM

## TOPPING MODULE

The topping module on the MX6000 system applies colored topping material to embossed characters to make them attractive and easier to read. Datacard Group's topping design delivers consistent, high-quality topping card after card.

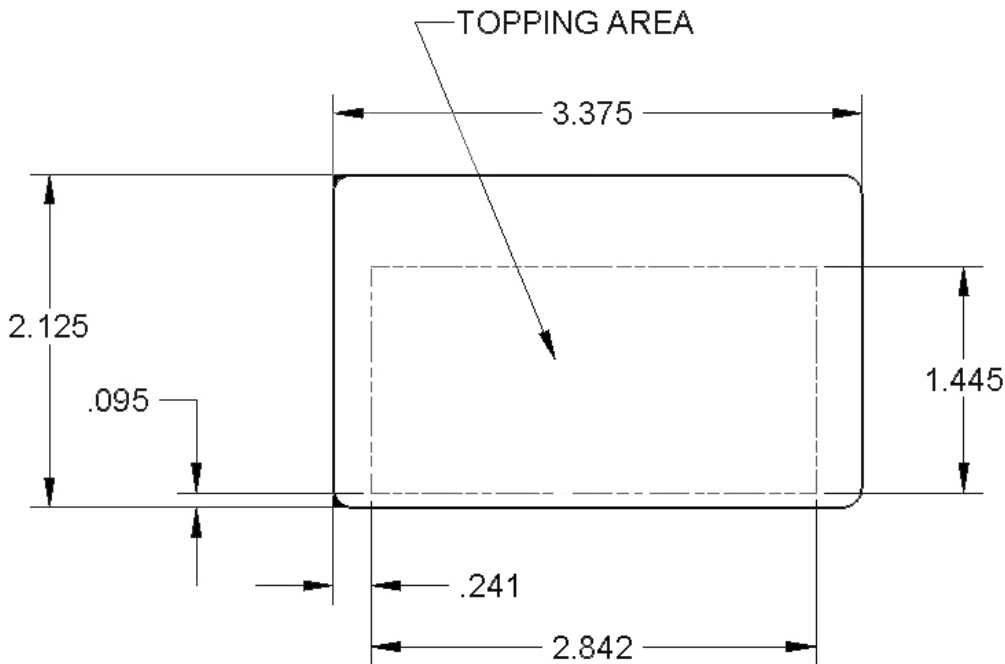
- Multiple topping modules may be configured within a system for software-selectable foil color changes on a card-by-card basis
- Foil splitting option provides a cost-effective solution to dispose of secure data on used foil
- All topping parameters are stored within the system setup files for automatic operation
- Easy foil loading and large supply rolls minimize reloading downtime

Topping Module Specifications	
Module Functionality	Applies colored topping foil to embossed characters on the card
Rated Speed	Up to 1,500 CPH
Topping Placement	<ul style="list-style-type: none"> <li>• Vertical: 1.54 in. (39.1 mm) measured from bottom edge of the card to uppermost character edge and 0.095 in. (2.4 mm) measured from bottom edge of the card to lowermost character edge</li> <li>• Horizontal: 3.083 in. (78.3 mm) measured from left edge of card to final character edge and 0.241 in. (6.1 mm) measured from left edge of card to first character edge (See diagram on back)</li> <li>• System automatically determines the appropriate topping area based on prior embossing in the system</li> </ul>
Intelligent Supplies Technology™	Intelligent Supplies Technology™ is enabled in this module when used with Datacard® Certified Supplies. Features include: <ul style="list-style-type: none"> <li>• Automatic supply recognition and module setup</li> <li>• Supply low notification</li> <li>• Verification of proper supply loaded</li> </ul>
Operator Supply Notifications	Supply low* Supply out Supply jam Supply break Take-up roll full Supply not loaded or recognized Supply loading prompt *Available only with Datacard® Certified Supplies featuring Intelligent Supplies Technology™
Foils Available	<ul style="list-style-type: none"> <li>• Black, dark blue, gold, white, white premium, green, red, silver</li> <li>• Utilizes the same supplies as the Datacard® Maxsys® card issuance system</li> <li>• Custom colors available upon request</li> </ul>
System Configuration	<ul style="list-style-type: none"> <li>• Up to 4 modules per system</li> <li>• Topping foil can only be applied to cards that have been embossed in the same production run</li> </ul>
Card Types Supported	ISO/IEC 7810 ID-1 Size; 30 mil (±10%) Alternative card thicknesses can be made available upon request
Card Materials Supported	PVC and PETG (laminated and non-laminated)
Module Dimensions	50.1 in. H x 100 in. W x 27.0 in. D (127.3 cm x 25.4 cm x 68.6 cm)
Weight	101.0 lbs (46.0 kg)
Current Draw	1.52 Amps at 230V
Heat Output	Average of 1,166 BTUs per hour

**DATACARD® MX6000™ CARD ISSUANCE SYSTEM  
TOPPING MODULE**

Topping Module Supplies		
Topping Foils featuring Intelligent Supplies Technology™		
Item Number	Description	Approx. Card Yield/Roll*
559790-502 (Roll) 718390 (Case of 24 rolls)	Black topping foil	11,000
559790-501 (Roll)	Dark blue topping foil	11,000
559790-503 (Roll) 718379 (Case of 24 rolls)	Gold topping foil	15,000
559790-504 (Roll) 718391 (Case of 24 rolls)	White topping foil	11,000
559790-528 (Roll) 718392 (Case of 24 rolls)	White topping foil, premium	11,000
559790-505 (Roll)	Green topping foil	11,000
559790-506 (Roll)	Red topping foil	11,000
559790-513 (Roll) 718377 (Case of 24 rolls)	Silver topping foil	15,000

Topping foil yields are estimated based on common usage. Actual yields may vary.  
Custom colors available upon request.



**DatacardGroup**

11111 Bren Road West

Minnetonka, MN 55343-9015

+1 952 933 1223

+1 952 931 0418 FAX

[www.datacard.com](http://www.datacard.com)

Datacard, MX6000, Intelligent Supplies Technology and Maxsys are registered trademarks, trademarks and/or service marks of DataCard Corporation in the United States and/or other countries.  
©2007 DataCard Corporation.  
All rights reserved. Information subject to change without notice.  
C17-5270